

For Earth, For Life
Kubota

KUBOTA 4WD DIESEL UTILITY VEHICLE

RTVX-Series







Get ready for a whole new RTV experience.

Kubota RTVs have been the best-selling diesel utility vehicles in North America since 2004.* And no wonder. Each year, they set the standard for ruggedness and reliability, proving themselves ready to work day after day under all kinds of conditions.

Well, the best just got a whole lot better. Meet the all-new Kubota RTV X-Series, three rough-and-ready RTV's that raise the bar on comfort, convenience, and performance.

It's a whole new driving experience, too, with a smoother ride, better driveability, more legroom, and improved ergonomics throughout.

Ready for an RTV experience you won't soon forget? Visit your Kubota dealer today and experience for yourself the all-new RTV X-Series.

**Power Products Marketing North American Utility Vehicle Market Reports*

KUBOTA 4WD DIESEL UTILITY VEHICLE
RTV X-Series

RTV X-S

**The Kubota RTV X-Series. All-new performance,
all-new comfort, all the time.**

RTV-X900

Comfort and versatility make this Kubota's most popular model for all types of jobs. It comes with a powerful 21.6 HP diesel engine and your choice of Kubota Orange or Realtree AP Camo styling.



Articles

When there's work to be done on the far side of nowhere, you need a vehicle that can get you there quickly, get the job done efficiently, and get you back comfortably.

RTV-X1120D

A step up in power, comfort, convenience, and style, the all-new RTV-X1120D has everything you need to get the job done, including a rugged and dependable 24.8 HP diesel engine and handsome blue-tinted halogen headlights.



Introducing the all-new RTV X-Series from Kubota. Three rugged and reliable utility vehicles with more of the things that you need to get the job done right.

RTV-X1100C

The first RTV to offer a factory-installed unibody A/C cab, the RTV-X1100C is still the industry leader in work comfort. The fully enclosed cab features air conditioning, defroster, and heating systems to keep you comfortable in all types of weather for all types of jobs.

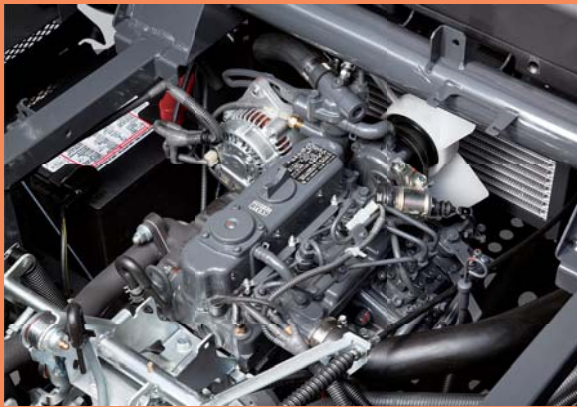


TOUGH

**Kubota diesel engines—dependable power,
when and where you need it.**

Power when and where you need it

Even when the path disappears, you can rely on the RTV X-Series' powerful diesel engines to keep you moving forward. Kubota-built and trail-proven, these 3-cylinder liquid-cooled diesel engines have a well-earned reputation for dependable performance even in the harshest terrains. The RTV-X900 comes with a robust 21.6 HP engine, while the RTV-X1120D and RTV-X1100C provide an extra boost of power from 24.8 HP engines.





RTV-X900

VHT-X (Variable Hydraulic Transmission)

Kubota has more experience in variable hydraulic transmissions than any other Utility Vehicle manufacturer. Kubota's advanced VHT-X offers a wide torque band and large oil coolers that boost performance and durability.



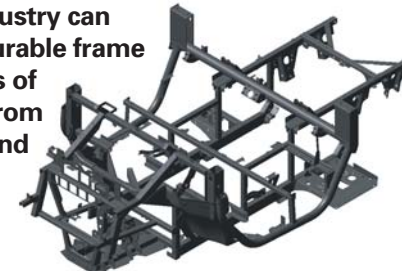
Two-speed In-line Shift

You'll shift less often and maintain better control, thanks to new transmission gearing with just two forward speeds (high and low), plus neutral, and reverse.



Strong High-rigidity Frame

The high-rigidity steel frame isolates the occupants from noise, vibrations, and harshness. With structural strength that few in the industry can match, this durable frame can take years of punishment from heavy loads and rough terrain.



20% Larger, Clog-resistant Radiator

Open the hood, and you'll find the radiator and air-intake located high and up front, where the air is cleaner and cooler. This improves both radiator performance and simplifies maintenance. Kubota's wide fin pitch design minimizes clogging, further improving radiator performance.





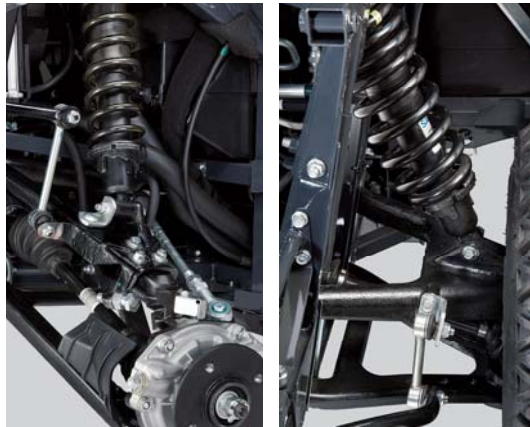
ALL RIDE

Get in and buckle up. You're about to experience a whole new level of driving performance.

Front & Rear Independent Suspension



Regardless of the terrain or load, independent suspension on all four wheels ensures a truly exceptional ride. Kubota's Extra Duty IRS (Independent Rear Suspension) technology also sets a new standard for durability.



Height-adjustable Front and Rear Suspension

Whether you've got a heavy load or no load at all, adjustment of the front and rear suspension height will ensure the proper vehicle height for a smooth ride and optimum driveability for hard to get to work environments.

High Ground Clearance

The new X-series raises the bar on ground clearance—to a full 10.4" with 8" of suspension travel—letting you glide over the bumps rather than through them.

Limited-Slip Front Differential

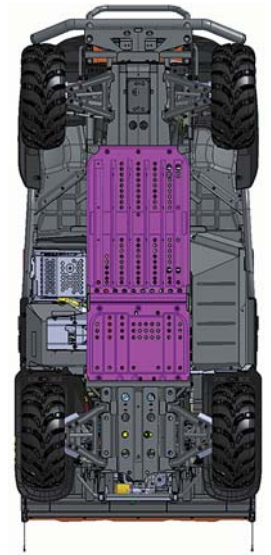
True 4-wheel drive with a limited-slip front differential and a locking rear differential help reduce wheelspin to a minimum, giving you greater control and a smoother ride on rough or muddy terrain.

Dynamic Braking

You'll feel more secure, especially when traveling down long inclines, knowing that dynamic braking is providing additional braking power and greater driving control.

CV Joint Protectors and Skid Plates

Obstacles on the path? CV joint protectors and heavy-duty skid plates will protect the most critical parts of the engine and transmission.



The image shows the interior of a vehicle, likely a truck or heavy-duty car, from the driver's perspective. The steering wheel is black with a central logo. The dashboard is black and features a digital display showing '0' and '2.0'. There are various controls, including a gear shifter and a handbrake. The seats are light-colored. The background is a bright orange color. The text 'COMFORT' is overlaid in large, semi-transparent letters at the top.

A whole new experience in driving comfort.

The experience begins the moment you step into the driver's compartment and settle into the seat. Clearly, the X-Series was designed for driving comfort and convenience under tough working conditions. More room for your legs, controls that fall naturally under your hands, plenty of utility storage space... from head to toe and side to side, it's a whole new level of easy, practical driveability that must be experienced to appreciate.



60:40 Split-bench Seats

The split-bench style seat is ergonomically designed to provide hours of working comfort. The driver's side is adjustable fore and aft.*

**Driver's side seat adjuster is not available on RTV-X900 General Purpose models.*



Power Steering

Responsive hydrostatic power steering gives you the control you need to tame any terrain. The steering wheel is tilt-adjustable, allowing you to set the optimum angle for your driving style.*

**Tilt-feature is not available on RTV-X900 General Purpose models.*



Digital Meter Cluster

Bright, with large, easy-to-read indicators, this digital meter cluster keeps you informed of all critical driving conditions, including speed, hours, and miles traveled. An Overheat Alarm (light and audio) helps prevent engine damage.



Easily accessible Parking Brake

The parking brake is conveniently located on the dashboard for easier access as well as more legroom.



Glove Box*

A large glove box on the passenger side provides fast access to critical tools and personal effects.

**Glove box is not available on RTV-X1100C models.
Glove box cover is optional on RTV-X900 General Purpose models.



Under-seat Storage Compartments

Large compartments under the split-bench seats provide plenty of convenient storage space for tools, tie-downs, and personal items.

CAPABILITIES

The capacity for hauling, the strength for towing.

Carry up to 15.2 cubic feet of cargo

It's not enough to get you there and back. You need to get your stuff there and back, as well. This heavy-duty steel cargo box can do that for you, carrying up to a half-ton (1,102 lbs.) of tools, firewood, gear, supplies...whatever you need to haul from here to there and back again. Cargo tie-down hooks help keep your gear secure.



Dumping Cargo Box*

With the flick of a single lever, the hydraulic-lift cargo box rises and your cargo slides out. Cargo that could take significant physical strength and time to unload can now be dumped with little effort in mere seconds.

**Manual dumping on RTV-X900 General Purpose model.*



**Photo with factory installed Spray-on Bedliner option.*



Spray-on Bed Liner (factory option)

An optional factory-installed bed liner helps protect the cargo bed from dirt and damage. Four tie-down hooks in the corners help keep loads in place.

Towing Capacity

Standard two-inch hitch receivers at the front and back let you tow up to 1,300 lbs. of gear.



Get ready for an all-new level of comfort and performance. Get ready

Here's the one you've been waiting for. The one with more of everything.

More power, more convenience, more comfort, more style. We call it the RTV-X1120D. You'll call it amazing.

RTV X1120D

More Powerful Engine

For jobs that require extra acceleration and climbing power, the RTV-X1120D is the obvious choice. It packs Kubota's proven 24.8 HP diesel engine, which provides a top speed of 29 mph and plenty of hill-climbing power.



Sculpted, Blue-tinted Headlights

Bright and far-reaching halogen headlights with adjustable optical axis provide plenty of light for driving in dim-light conditions. Sculpted and tinted blue, these handsome lights add a touch of class to the RTV-X1120D's distinctive styling.



for the RTV-X1120D.



RTV-X1120D

Three-point Seatbelts

With the RTV-X1120D's increased speed comes increased dynamic loads; so you and your passenger are strapped in with three-point seatbelts.

Half Door

Half doors on the driver and passenger sides help keep out the dirt, brush, and other external objects, while letting you enter and exit with ease.



New Alloy Wheels

You'll travel in style with these good-looking, machine-polished alloy wheels.* Clear Coating helps keep them bright and shiny.

**Realtree AP Camo model features black alloy wheels with polished outer surfaces.*



ALL-WEATHER CO

So comfortable, so fun to drive,
you'll find excuses to take it for a spin.



Premium Grand Cab

Whether it's hot and humid, cold and windy, or raining cats and dogs, you'll stay dry and comfortable inside the RTV-X1100C's quiet and luxurious air-conditioned and heated cab. Built around a unibody frame that is virtually airtight, soundproof, and rattle-free, the cab incorporates highly efficient air-conditioning, heating, and defogging functions, as well as antennas and speakers for an optional radio. And when the weather is nice? Just roll down the fully opening windows. This truly is the best all-weather, all-comfort, all-the-time working environment you'll ever experience on the trail.



COMFORT CAB

RTV-X1100C

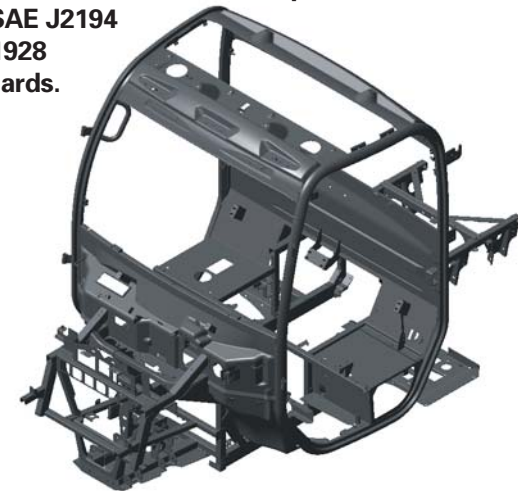
Air Conditioner and Heater

Hot or cold, rain or shine, the temperature inside can always be just right for you. The air conditioner, defroster, and heater system are powerful, efficient, and standard equipment on the RTV-X1100C.



Unibody Cab and Chassis Frame

You'll enjoy a smoother, quieter, more comfortable ride, thanks to the RTV-X1100C's integrated unibody cab and chassis frame. They form a rigid yet lightweight unit that is rugged, airtight, low-noise, and rattle-free. Even more impressive, the cab meets SAE J2194 and OSHA 1928 ROPS standards.



SPECIFICATIONS

Model		RTV-X900 General Purpose	RTV-X900 Worksite		RTV-X	
Body color		Kubota Orange	Kubota Orange	Realtree® AP Camo	Kubota Orange	
Engine	Make	KUBOTA D902-E4-UV				
	Type	3-cylinders, 4-cycle, diesel, OHV				
	Displacement	cu.in (cc)	54.8 (898)			
	Horsepower	HP (kW)/rpm	21.6 (16.1) @3200			
	Cooling system		Liquid			
Battery		540 CCA				
Transmission					Variable hydro transmission (VHT-X)	
Gear selection					Hi-Lo range forward, neutral, reverse	
Max. traveling speed		mph (km/h)	0-25 (0-40)		0-29	
4WD system	Front differential				Limited-slip differential	
	Rear differential				Foot operated differential lock	
Steering					Hydrostatic power	
Brakes	Front / Rear				Wet-disc brakes	
	Parking brake				Rear wheel, hand operated	
Suspension	Front suspension				Independent, Dual A-arms with adjustable spring	
	Front suspension travel	in. (mm)			8 (205)	
	Rear suspension				Independent with coil over shock	
	Rear suspension travel	in. (mm)			8 (205)	
Ground clearance	Front	in. (mm)			10.5 (266)	
	Rear	in. (mm)			10.4 (263)	
	Under foot platform	in. (mm)			11.0 (280)	
Headlights		Two 37.5 watt halogen		Two 37.5 watt blue-tint halogen,		
Occupant Protective System (OPS)	Tubular overhead structure	in. (mm)			2.0 (50.8) steel tube	
	Seat belts				2-point	
	Certification	SAE J2194 and OSHA 1928 ROPS			3- SAE J2194 and OSHA 1928	
Dimensions	Length	in. (mm)	120.3 (3055)		122.5	
	Width	in. (mm)		63.2 (1605)		
	Height, overall	in. (mm)		79.5 (2020)		
	Front tread centers	in. (mm)			48.8 (1240)	
	Rear tread centers	in. (mm)			48.8 (1240)	
	Wheelbase	in. (mm)			80.5 (2045)	
	Turning radius	ft. (m)			13.1 (4.0)	
Weight	lbs. (kg)	1907 (865)	1973 (895)		2061	
Towing capacity	lbs. (kg)				1300 (590)	
Payload capacity	lbs. (kg)	1664 (755)	1598 (725)		1510	
Cargo bed	Material				Steel	
	Width × Length × Depth	in. (mm)				57.7 (1465) × 40.5 (1030) × 11.2 (285)
	Volume	cu. ft. (m³)				15.2 (0.43)
	Bed height (unloaded)	in. (mm)				34.9 (887)
	Cargo bed load	lbs. (kg)				1102 (500)
Dumping system		Manual			Hydro	
Fuel tank capacity	U.S. gals (ℓ)				7.9 (30)	
Sound rating at operator's ear at max rpm		dB. (A)	85			
Tires	Front and rear	ATV				25×10-12, 6-ply
		HDWS				25×10-12, 6-ply
	TURF	25×10-12, 4-ply		—	—	
Front guard design		Simple, center only	Center and bumper			
Alloy wheel (not available with Turf tire)			Opt.			
Hydraulic bed lift		Opt.				
Spray-on bed liner		—				

1120D	RTV-X1100C	
Realtree® AP Camo	Kubota Orange	Realtree® AP Camo
KUBOTA D1105-E4-UV		
3-cylinders, 4-cycle, diesel, OHV		
68.5 (1123)		
24.8 (18.5)@3000		
Liquid		
650 CCA		
(0-46.4)	0-25 (0-40)	
preload		
optical axis adjustment		
Two 37.5 watt halogen		
point	2-point	
ROPS and ANSI B71.9 (3110)	SAE J2194 and OSHA 1928 ROPS	
	65.4 (1660)	
	82.3 (2090)	
(935)	2370 (1075)	
(685)	1629 (739)	
power lift		
84	83	
Center, bumper and lens		
Std.	Opt.	
Std.	Opt.	
Opt.	Opt.	

ACCESSORIES & ATTACHMENTS

Please visit your local dealer or www.kubota.com for details

Modular "Build Your Own" Cab Enclosure System

Step 1: Pick a Canopy

- Canopy- Metal FOPS (Black or Orange)
- Canopy- Plastic (Black)

Step 2: Pick a windshield

- Windshield- Tempered Glass
- Windshield- Laminated Glass
- Windshield- Hard-coated Polycarb

Step 3: Pick door type

- Doors- Metal (Black or Orange)
- Doors- Vinyl with Metal frame (Black)

Step 4: Add Rear Panel to complete enclosure

- Rear Panel- Metal (Black)

Step 5: Add accessories to customize your Cab Enclosure

- Mirrors- External Deluxe
- Cab Heater
- Interior Dome Light
- LED Worklights- Front and/or Rear
- Strobe Light
- Dash Panel Switch/Harness Panel

Stand-alone Canopies & Windshields, ROPS Accessories

- Windshield- Acrylic (Clear or Tinted)
- Windshield- Uncoated Polycarb (Clear or Tinted)
- Plastic Canopy- Black
- Halogen Worklights- Front and/or Rear
- Mirror for ROPS RTVs
- ROPS Organizer

Front Attachments, Rear Sprayers and Spreaders (may require additional components)

- General Duty Front 72" Straight Blade
- Commercial HD Front 72" Straight & V-Blades
- Commercial HD 60" Rotary Broom
- Front Hydraulic Quick Hitch
- Deluxe Hydraulic Controls & Valve Kits
- 68 Gallon Sprayer System
- 10 cubic foot Cargo Box Salt/Sand Spreader
- 3 cubic foot Rear Mount Spreaders

Exterior, Mechanical & Electrical Accessories

- Alloy Wheels & Tires
- 4,000 lbs Winch Kit
- RAC "Rapid Access Cargo" System
- 2" Trailer Hitch Ball Mount Kit
- Vehicle Storage Cover
- Plastic Cargo Bedliner
- Tail Lamp Guard Kit
- Splash Guard Kits
- CV Joint Guards- front or rear
- Turn Signal/Hazard Light Kit
- Backup Alarm Kit
- Front HD Spring & Damper Kits
- Engine Block Heater Kit
- Engine Hand Throttle Kits

***Realtree® is a registered trademark of Jordan Outdoor Enterprises, Ltd. The company reserves the right to change the above specifications without notice. This brochure is for descriptive purposes only. Please contact your local Kubota dealer for warranty and safety information. The values in "Ground clearance" and "Weight" are those of the machine equipped with the tires in the table above. Some RTVs in this brochure are shown with optional accessories. For off-highway use only.*

ACCESSORIES & ATTACHMENTS



■ **Metal FOPS Canopy**
 (RTV-X900 & RTV-X1120D only)
 VC5000



■ **Plastic Canopy**
 (RTV-X900 & RTV-X1120D only – Shown with VC5056
 LED Strobe Light)
 VC5011



■ **Roof and Windshield**
 (RTV-X900 & RTV-X1120D only – Not compatible
 with "VC" canopies/windshields)
 V5221 – Plastic Canopy
 V5259 – Uncoated Polycarb Windshield



■ **Hardened Acrylic Windshields**
 (RTV-X900 & RTV-X1120D only – Compatible with
 all "VC" canopies)
 V5027 – Clear Acrylic Windshield
 V5028 – Tinted Acrylic Windshield



■ **Laminated Windshield**
 (RTV-X900 & RTV-X1120D only)
 VC5020



■ **Tempered Glass Windshield**
 (RTV-X900 only)
 VC5025



■ **Poly Windshied**
 (RTV-X900 & RTV-X1120D only)
 VC5023



■ **Metal Doors with sliding windows**
 (RTV-X900 & RTV-X1120D only)
 VC5090 – Black
 VC5091 – Orange



■ **Kubota Vinyl Door**
 (RTV-X900 & RTV-X1120D only)
 VC5095



■ **Rear Panel**
 (RTV-X900 & RTV-X1120D only – Shown with
 optional rear worklights and flashers)
 VC5040



■ **RTV Mirror Kit**
 (RTV-X900 & RTV-X1120D only)
 VC5076



■ **Rear View Mirror**
 (RTV-X900 & RTV-X1120D only)
 VC5070



■ **Dome Light**
(RTV-X900 & RTV-X1120D only)
 VC5053



■ **Wiper** *(RTV-X900 & RTV-X1120D only)*
 VC5030



■ **LED Front Worklights (x2)**
(RTV-X900 & RTV-X1120D only)
 VC5050



■ **Rear Work Light**
(RTV-X900 & RTV-X1120D only)
 VC5051



■ **Strobe Light**
 VC5056 – RTV-X900 & RTV-X1120D
 VC5058 – RTV-X1100C



■ **RTV Mirror Kit** *(RTV-X1100C only)*
 V5059 – Cab



■ **72" General Duty Straight Blade with Quick Hitch**
 V5008



■ **Commercial 72" Hydraulic Straight Blade**
 V5290



■ **Commercial 72" V-Blade**
 V5291



■ **60" Hydraulic Rotary Broom**
 V5260



■ **Front Hydraulic Quick Hitch**
 V5289



■ **Hydraulic Control & Valve System**
 V5232 – 2-function Control & Valve
 V5233 – 3-function Hydraulic Valve Upgrade Kit *(not shown)*

ACCESSORIES & ATTACHMENTS



■ Curb Guard
V5256



■ Front Guard Adapter Kit
V5255



■ Dust Suppression System for
Rotary Broom (requires V5292 68 Gallon tank)
V4496



■ 68 Gallon Tank and with Hose
Reel & Spray Wand
V5292



■ Cargo Box Spreader
(RTV-X900 & RTV-X1100C only)
V5005



■ Material Control Tube for V5005
V4407



■ Winch Kit (4,000lbs capacity)
V5244



■ Trailer Hitch Ball Mount Kit
V5200



■ Vehicle Storage Cover
V4382



■ Plastic Cargo Bedliner
V5229



■ Tail Lamp Guard
V5227



■ Turn Signal/Hazard Light Kit
V5237



■ RAC "Rapid Access Cargo" System* (RTV-X900 & RTV-X1100C only)
V5012 – Full RAC Frame System



■ RAC "Rapid Access Cargo" System* (RTV-X900 & RTV-X1100C only)
V5015 – Extender Basket



■ RAC "Rapid Access Cargo" System* (RTV-X900 & RTV-X1100C only)
V5016 – Half Clip Basket



■ RAC "Rapid Access Cargo" System* (RTV-X900 & RTV-X1100C only)
V5017 – Full Clip Basket



■ RAC "Rapid Access Cargo" System* (RTV-X900 & RTV-X1100C only)
V4418 – Long Handle Tool Carrier



■ RAC "Rapid Access Cargo" System* (RTV-X900 & RTV-X1100C only)
V4419 – String Trimmer Holder



■ RAC "Rapid Access Cargo" System* (RTV-X900 & RTV-X1100C only)
V4421 – Backpack Blower Holder



■ RAC "Rapid Access Cargo" System* (RTV-X900 & RTV-X1100C only)
V4422 – Cooler/Bucket Cruiser



■ Alloy Wheels and Tires
(Standard on RTV-X1120D models)
V5203 – Black wheels
V5205 – Silver wheels

■ Splash Guard Kit
V5225 – Front Wheels
V5226 – Rear Wheels

■ CV Joint Guards
V5238 – Front
V5239 – Rear

■ Backup Alarm Kit
V5236

■ Halogen Worklights
(RTV-X1100C only)
V5282 – Front Lights
V5283 – Rear Lights

■ Front Heavy Duty Spring & Damper Kits (RTV-X900 & RTV-X1120D only)
V5218 – Front HD Springs (x2)
V5219 – Front HD Springs & Struts (x2)

■ Engine Hand Throttle Kit
V5241 – RTV-X900
V5243 – RTV-X1120D & RTV-X1100C

* RAC System does not include blowers, coolers, or any props shown in photos.



KUBOTA TRACTOR CORPORATION

Kubota Tractor Corporation, 3401 Del Amo Boulevard, Torrance CA 90503
Western Division: 1175 S. Guild Ave., Lodi, CA 95240 Tel (209) 334-9910
Central Division: 14855 FAA Boulevard, Fort Worth, TX 76155 Tel (817) 571-0900
Northern Division: 6300 at One Kubota Way, Groveport, OH 43125 Tel (614) 835-1100
Southeast Division: 1025 Northbrook Parkway, Suwanee, GA 30024 Tel (770) 995-8855

Visit our web site at: www.kubota.com

Cat.No.2286-01-US Printed in Japan.D.REX.'13-SEP



©2013 Kubota Corporation